

primus®

GET AHEAD IN LAUNDRY



SP10 | SD10

## PROFESSIONAL WASHER AND DRYER



**COMPACT DESIGN**  
Saving the footprint



**HIGH EXTRACTION SPEED**  
For shorter drying cycles and saving the energy



**USER-FRIENDLY**  
Very simple and intuitive interface

### FEATURES & BENEFITS

#### Features washer

- Stainless steel outer and inner drum
- Industry-leading 440 G-Force extraction removes more moisture, minimizing drying times and utility costs
- Totally freestanding: can be installed on any floor and any level
- Suspension with new out-of-balance logic
- Soap box with four compartments
- Standard with drain pump
- Top, front and side panels standard available in anthracite grey
- Electrical heating or boiler-fed
- 6 wash programs
- Led indication of the status of the program
- Time remaining countdown

#### Features dryer

- Galvanized steel cylinder
- Oversized lint filter located in front for easy cleaning
- Powerful exhaust blower assures short drying times and low operating costs
- Wide door opening of 180° for easy loading and unloading
- Top, front and side panels standard available in anthracite grey
- Electrical or gas heating
- 4 drying programs
- Led indication of the status of the program
- Time remaining countdown

## SPECIFICATIONS

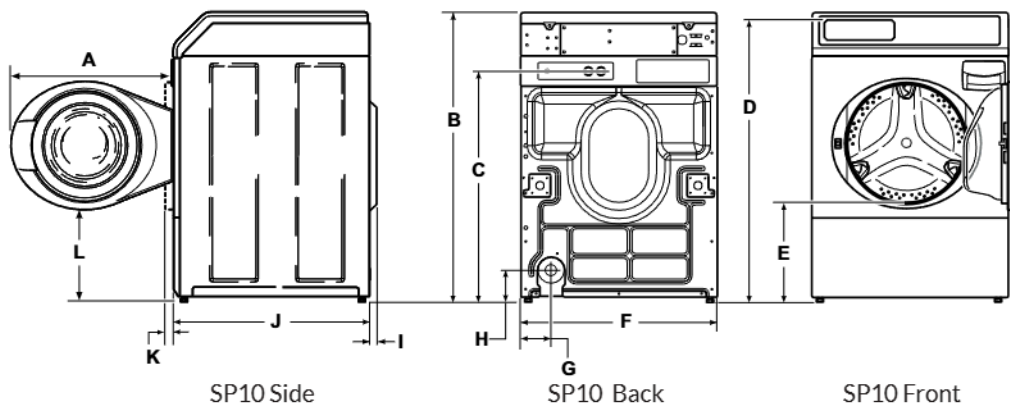
SP10	NF3JGBSP403UG01	NF3JGBJP403UG43	NF3JGBSG403UG01	NF3NGBJG403UG44	NF3JGBSP403NG22
Market	Europe/CE	Europe/CE	Europe/CE	Europe/CE	No agency
Actuation	OPL <sup>1</sup> /PCP <sup>2</sup>	OPL <sup>1</sup> /PCP <sup>2</sup>	OPL <sup>1</sup> /PCP <sup>2</sup>	OPL <sup>1</sup> /PCP <sup>2</sup>	OPL <sup>1</sup> /PCP <sup>2</sup>
Basket	Stainless	Soap inject./grey boot	Stainless	Soap inject./grey boot	Stainless
Drain	Pump	Pump	Gravity drain	Gravity drain	Pump
Capacity	10.5 kg	10.5 kg	10.5 kg	10.5 kg	10.5 kg

SD10	ND3NGBGS403UG01	NDENGBGS303UG01	NDGNGBGS303UG01
Market	Europe/CE	Europe/CE	Europe/CE
Actuation	OPL <sup>1</sup> /PCP <sup>2</sup>	OPL <sup>1</sup> /PCP <sup>2</sup>	OPL <sup>1</sup> /PCP <sup>2</sup>
Heating	Electric*	Electric*	Gas
El. connection	400V/50Hz/3N	230V/50Hz/1N	230V/50Hz/1N

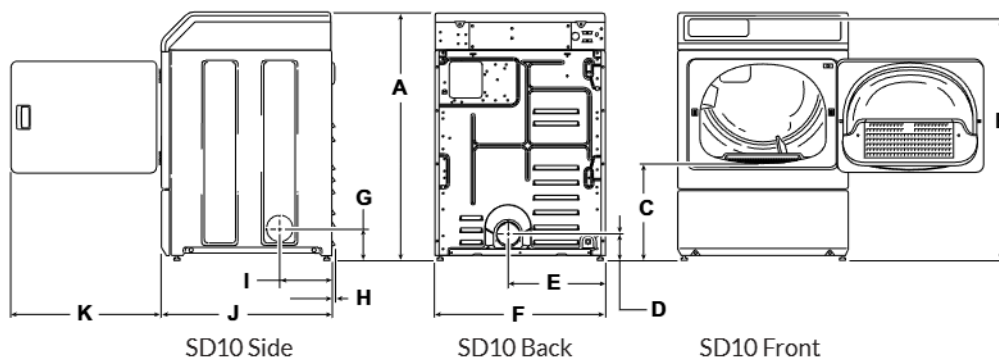
<sup>1</sup>On Premise Laundry <sup>2</sup>Prep for Central Pay

Front load washer		SP10
Drum volume	l	96,8
Frequency controlled	kW	0,67
Extraction speed	rpm	1200
G-factor		440
Electrical connection		400v/50Hz/3N
Electrical heating	kW	4,8
Dimensions H×W×D	mm	1027×683×704
Net weight	kg	113
Volume (packed)	m <sup>3</sup>	0,71
Packed H×W×D	mm	1150x760x860
Gross weight	kg	122

Dryer		SD10
Capacity	kg	10.5
Drum volume	l	198
Electrical heating		5,2 (230V)   5,3 (400V)*
Gas heating	kW	7,3
Motor power	rpm	0,25
Exhaust	mm	102
Dimensions H×W×D	mm	1027×683×711
Net weight	kg	68
Volume (packed)	m <sup>3</sup>	0,71
Packed H×W×D	mm	1150x760x860
Gross weight	kg	73



	A	B	C	D	E	F	G	H	I	J	K	L
SP10	611	1027	813	1006	371	683	107	104	52	704	40	333
	height					width				depth		



	A	B	C	D	E	F	G	H	I	J	K
SD10	1027	1006	392	102	391	683	114	10	203	711	597
	height					width				depth	