

RX180 | RX240 | RX280

HARDMOUNT WASHER-EXTRACTORS



CASCADE DRUM TECHNOLOGY
Extra mechanical action thanks to its cascading shape of the surface



HIGH CAPACITY WATER INLETS
For shorter wash cycles



EXTRA LARGE DOOR OPENING
For easy loading and unloading



IMPROVED DURABILITY
for your peace of mind with a 3-year warranty

FEATURES & BENEFITS

Features

- Rigid mounted, normal spin, 100G factor
- Stainless steel drum and tub
- Patented soap hopper
- Easy access to all vital parts from the front
- Large door opening for easy loading & unloading
- High capacity water inlets (RX280)
- Large drain valve (Ø 76 mm)

Options

- 200G factor execution
- Coin operated
- Stainless steel front and side panels
- Liquid soap connection and pumps
- Steam heating version
- ECO version: Lower kW rating on request
- 3rd water inlet
- High capacity water inlets (RX180, RX240)

Control

- XControl – fully programmable control with 20 Pre-set programs and memory up to 99.
- XTronic – Programmable control with 6 programs (+2 cycle modifiers and Imbalance detection)

SPECIFICATIONS

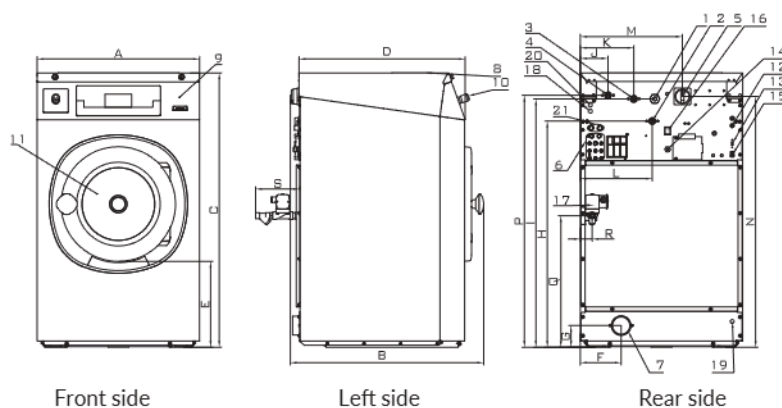
TYPE		RX180	RX240	RX280
INNERDRUM				
Capacity 1:09	kg (lb)	20(44)	27(60)	31(68)
Capacity 1:10	kg (lb)	18(40)	24(53)	28(62)
Volume	litres	180	240	280
Diameter	mm	750	750	750
DRUM SPEED				
Wash	rpm	42	42	42
Extraction	rpm	490 (690)*	490 (690)*	490 (690)*
G-FACTOR		100 standard 200*	100 standard 200*	100 standard 200*
HEATING				
Electricity	kW	12 - 18	18	21,9
Steam	bar	1-8	1-8	1-8
Hot water	°C	90	90	90
Sound pressure level	dB (A)	< 65	< 65	< 65
Water valves connection	BSP	3/4"	3/4"	3/4"
Water pressure	kPa	100-800	100-800	100-800
Rec. water pressure	kPa	300-500	300-500	300-500
Water inlet	l/min	20	20	20
Drain valve	outer Ø mm	76	76	76
Flow amount with drain valve	l/min	210	210	210
Steam valve connection	BSP	1/2"	1/2"	1/2"
Steam pressure	kPa	100-800	100-800	100-800
DIMENSIONS				
Size H*W*D	mm	1410×890×915	1410×890×1060	1410×890×1135
Net weight	kg	255 (315)*	275 (330)*	290 (355)*
TRANSPORT DATA				
Packed H*W*D	mm	1550×925×970	1550×925×1130	1550×925×1190
Gross weight	kg	270 (335)*	290 (355)*	305 (385)*

* 200 G-factor execution

DIMENSIONS

	A	B	C	D	E	F	G	H	I	J	K	L	M	N	P	Q	R	S
RX180	890	915	1410	815	465	280	130	1212	1297	113	218	303	625	1270	1317	528	54	120
RX240	890	1060	1410	960	465	280	130	1212	1297	113	218	303	625	1270	1317	528	54	120
RX280	890	1135	1410	1035	465	280	130	1212	1297	113	218	303	625	1270	1317	528	54	120

width depth height



- | | | |
|--------------------------|---------------------------|--|
| 1. Electrical connection | 6. Liquid soap connection | 11. Door opening (Ø 460mm) |
| 2. Hot water | 7. Drain | 12. Fuses |
| 3. Cold water hard | 8. Soap dispenser | 13. USB port |
| 4. Cold water soft | 9. Control panel | 14. Electrical connection to liquid soap pumps |
| 5. Main switch | 10. Button CENTRALSTOP | |